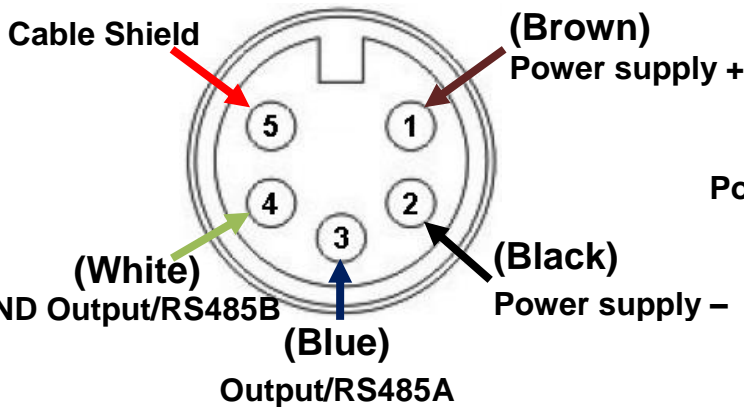
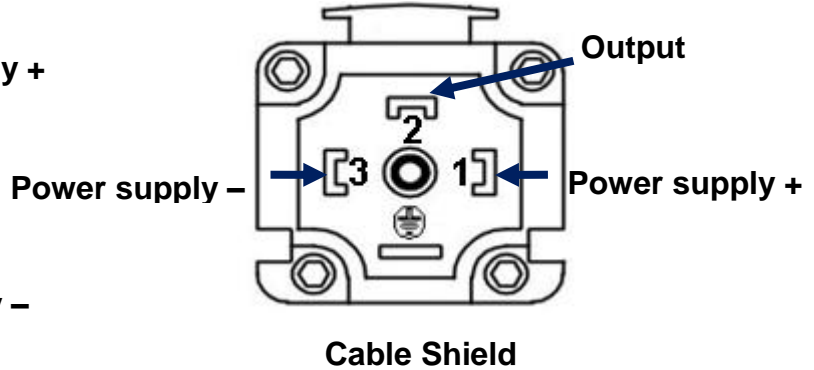


ELECTRICAL CONNECTIONS:

5 PIN connector output M12



4 PIN connector output DIN43650



ACCESSORIES

STANDARD ON REQUEST:

KMM mounting kit, 2 brackets, 4 screws

ON REQUEST:

Floating position marker, plastic, 2 screws (F)

Guided position marker, ball coupling (S)

C: cable length (1 meter)

A: 5-pin round connector, shielded, M12 x 1

M: Connector DIN43650 IP67

Mechanical Feature:

Total Electrical Travel (mm)	100, 110, 125, 150, 175, 200, 225, 250, 275, 300, 325, 350, 360, 375, 400, 425, 450, 475, 500, 550, 600, 650, 700, 750, 800, 850, 900, 950, 1000, 1150, 1250,
Connect	DIN43650
Output	Current A:(4~20)mA 、 Voltage V1:(0~5)V, V2:(0~10)V 、 R:RS485
Working Voltage	DC 15~24V
Working Current	Voltage, RS485 output $\leq 16\text{mA}$, current output $\leq 35\text{mA}$
Linearity	$\leq 0.05\%FS$
Repeatability	$\leq 0.0005\%FS$
Resolution	$\leq 0.001\%FS$
Protection	IP67
Vibration	100g, IEC 68-2-7 , 15g/10~2KHz IEC 68-2-6
Shock	100g/ IEC 68-2-27
Isolation	DC 500V >10M Ω
Temperature	-40~+85 °C
Case	Aluminum
ft	Stainless